



7" VideoFlyer™

All-in-one media player and display

The 7" VideoFlyer is a self-contained digital video viewing monitor for looping video display with a touchscreen video option. The unit comprises of 7" TFT LCD panel with built-in speakers. Video is stored and played back from a plug-in and play Compact Flash memory card.

- > USB Update comes as standard.
- > Compact Flash Storage
- > Interactive Options
- > Auto / Loop Playback Mode

Playable Format

MPEG-1 video (Video-CD), MPEG-2 video (DVD), MPEG-4
MPEG still picture, MP3 audio, JPEG picture

Storage

Compact Flash Card : Type 1/2

Panel Information

Screen size : 7" (Diagonal)
Active area : 154.08 (H) x 86.58 (V)
No of Dots : 480 (W) x 3(RGB) x 234 (H)
Brightness : 280 cd/m
Contrast ratio : 400 : 1
Viewing angle : 130 (H) 120 (V)
Backlight Unit : LED Backlight

Video Resolution

Low resolution : 352 x 288 pixels (PAL)
352 x 240 pixels (NTSC)

High resolution : 720 x 576 pixels (PAL)
720 x 480 pixels (NTSC)

Audio Output

Stereo output : RCA jack, 3.2V p-p max. 5Kohm

Playback Functions

Standard playback : Play, Stop, Pause, Repeat, Previous,
Next Track, Volume
Programmable playback : Loop, Auto and Program mode

Options

1. Touch Screen 8 Segment Touch
2. Barcode scanner RS-232 port
3. Motion Sensor

Power

Power input : 12v DC, 1A typical
Power consumption : 12W

Environmental

Operating Temperature : 0°C to 50°C
Relative Humidity : 5% - 95% (Non-Condensing)

Dimension

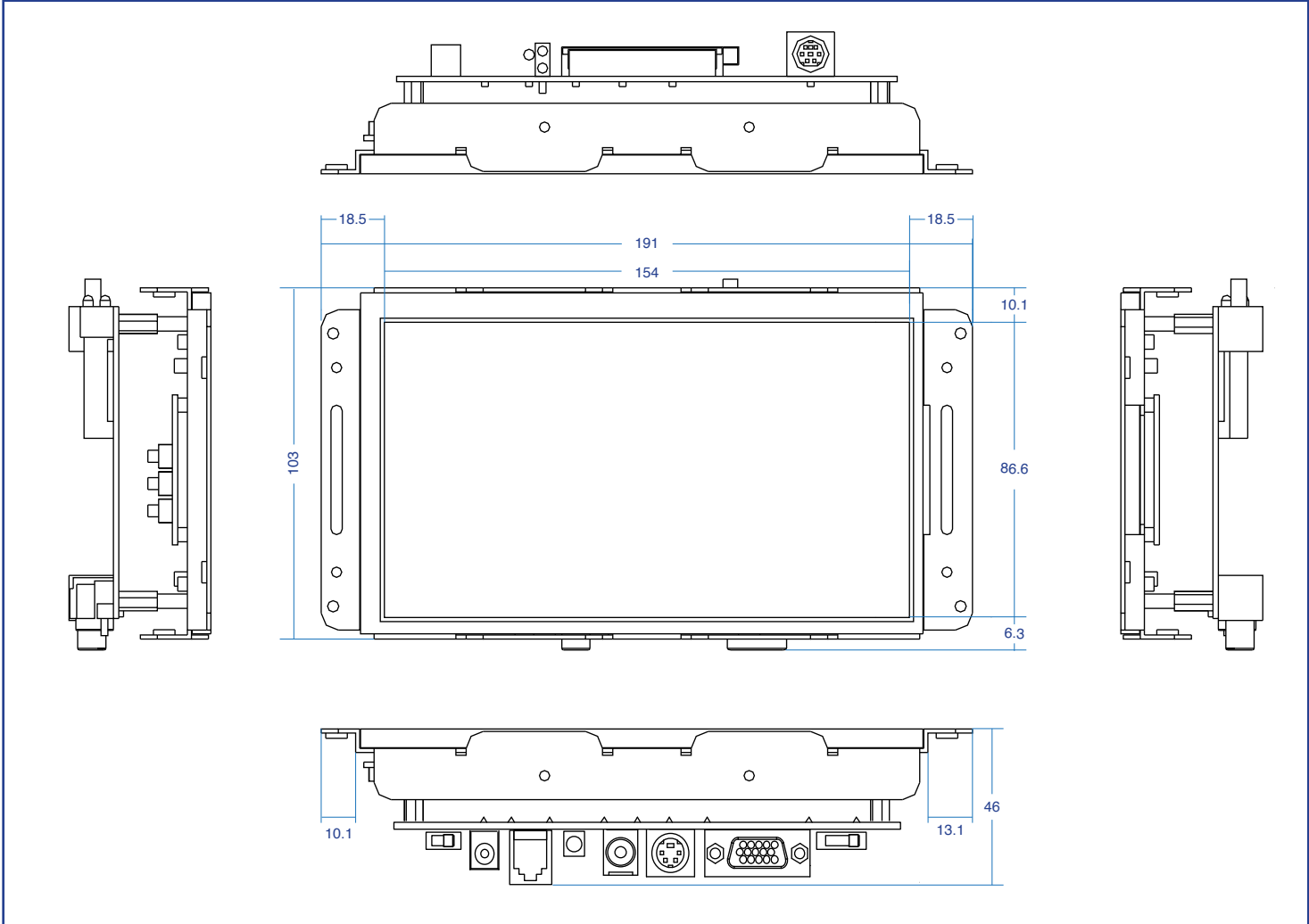
W x D x H : 191 x 45 x 103mm

Weight

Weight (net) : 450g

7" VideoFlyer™

Mechanical Drawing



Ordering Options

7" Open Frame VideoFlyer
 7" Open Frame VideoFlyer with Touch

VF-071W-OF P/N 587680090-3
 VF-071W-OFT P/N 587681090-3

